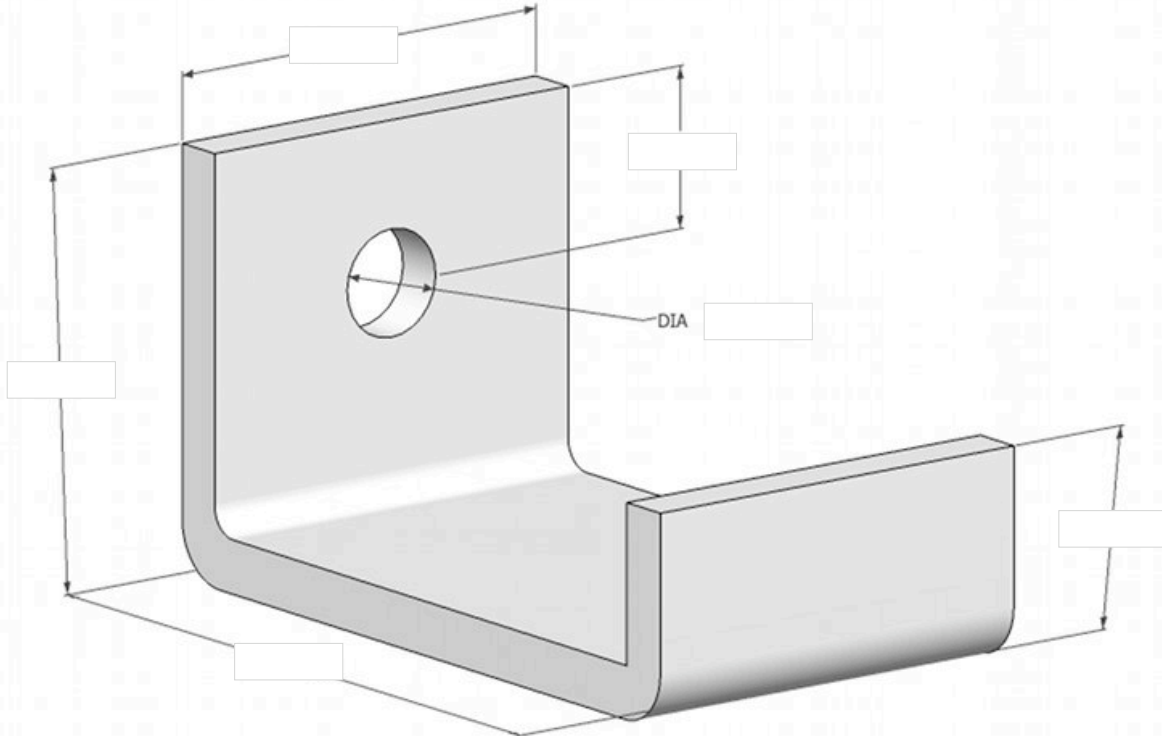


# STONE ANCHORS



## #3056 "U" Anchor



QUANTITY: \_\_\_\_\_

\*\*\*\*\*G#GHA]b": m1'() 2\$\$\$'d"q]"f5 GHA '5 \*\*\*L

**THICKNESS:**

- 1/8"       1/4"
- 3/16"     Other \_\_\_\_\_

**FINISH:**

- Hot Dip Galv.
- Stainless Steel Type 304



**CONTACT INFORMATION:**

Name: \_\_\_\_\_  
 Company: \_\_\_\_\_  
 Phone: \_\_\_\_\_ Fax: \_\_\_\_\_  
 E-mail: \_\_\_\_\_

**PROJECT INFORMATION:**

Name: \_\_\_\_\_  
 Location: \_\_\_\_\_  
 \_\_\_\_\_  
 \_\_\_\_\_